

Vane Type Water Flow Switch

Model: ZSJZ-YM-450

Vane type Waterflow Switch

Technical Features

- Size: DN50-DN200 / 2"- 8"
- Working Pressure: 450PSI
- Sensitivity:
 - FM: 1. No-alarm flow $\leq 15L/min$
 - 2. Alarm flow $> 15L/min, \leq 75L/min$
 - UL: 1. No-alarm flow $\leq 15L/min$
 - 2. Alarm flow $> 15L/min, \leq 37.5L/min$
- Capacity of Switch Contacts:
 - AC 125/250V 8A
 - DC 24V 3A
 - DC 30V 2.5A
- Working Temperature: 0-49°C
- Steel Pipe: SCH10-40
- 0-90 Seconds Field Replaceable Retard



Technical Information

- I. Overview

The vane type water flow switch use in wet pipe systems only. Water flow in the pipe deflects a vane, which produces a switched output usually after a specified delay.
- II. Main Components

ZSJZ series water flow indicator is mainly composed of the saddle, blade rack, bottom plate, outer cover, Air delay device, micro-switch, junction box, etc.

 1. The main outline drawing is shown in Figure 1 Outline Drawing.
 2. Main dimensions of water flow indicator are shown in Table 1.
 3. Materials of the main components are shown in Table 2.

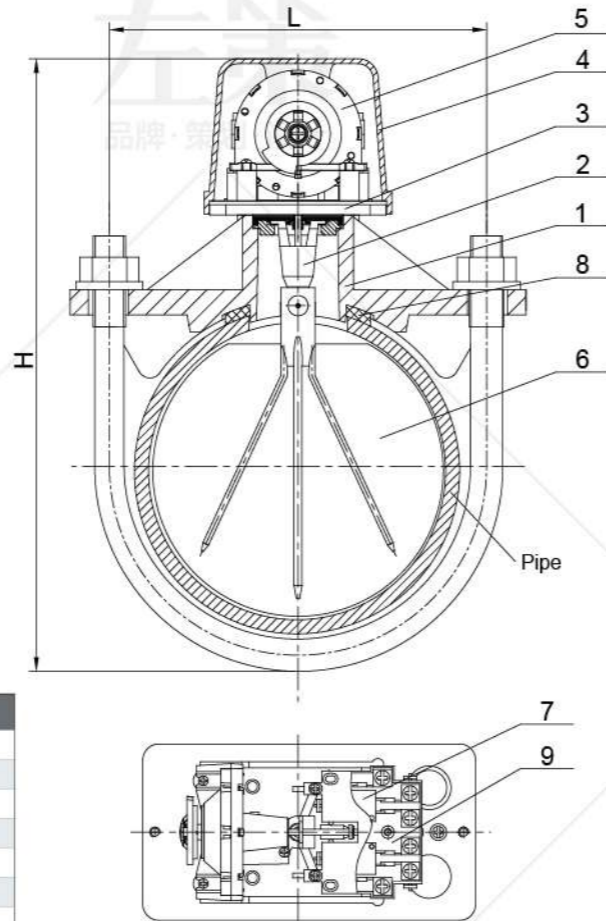


Table 1

Figure 1 Outline Drawing

Dimensions

Model	Specification	SIZE	L	H
ZSJZ-YM-450	DN50	2"	85	188
ZSJZ-YM-450	DN65	2.5"	92	200
ZSJZ-YM-450	DN80	3"	106	220
ZSJZ-YM-450	DN100	4"	134	245
ZSJZ-YM-450	DN125	5"	162	272
ZSJZ-YM-450	DN150	6"	189.5	298
ZSJZ-YM-450	DN200	8"	240	350

Vane Type Water Flow Switch

Model: ZSJZ-YM-450

Installation and Debugging as well as Precautions

- Installation of water flow indicator:
 - at the pre-set installation position, use a taper to drill on the main pipeline and remove burrs according to the product specification;
 - roll up the blade into a small size and put it into the pipeline, install the U-shaped bolt and fasten it up with two fastening nuts, and the specific installation drawing is shown in Figure 2.

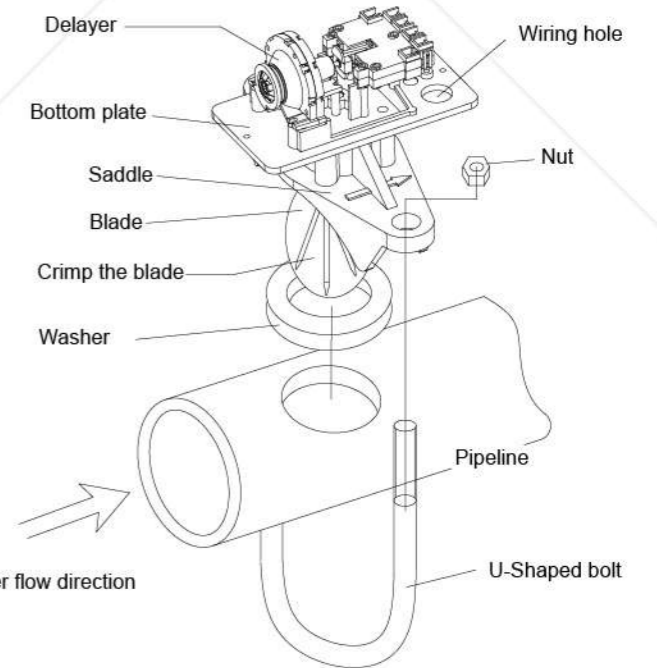


Figure 2 Installation Drawing

Materials of Main Components

No.	Name	Materials
1	Body	Ductile Iron
2	Blade Rack	SS304+EPDM
3	Bottom Plate	SS304
4	Outer Cover	Aluminum
5	Air Delay Device	Component
6	Blade	LLDPE
7	Micro-switch	Component
8	Sealing Gasket	EPDM
9	Junction Box	PC

Table 2

The typical wiring diagram is shown in Figure 3

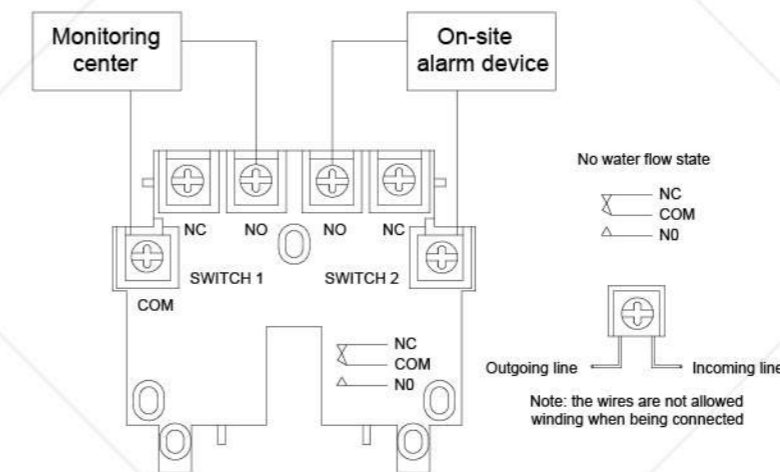


Figure 3

The hole size is shown in Table 3

Specification	Hole size
DN50, DN65	32+2mm
DN80-DN200	51+2mm

Table 3