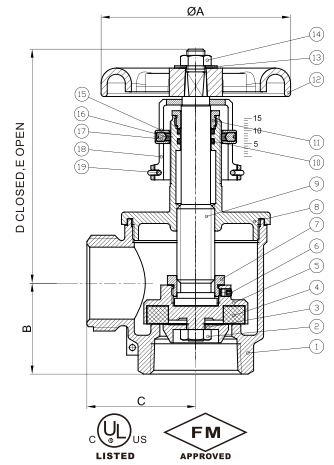




HC-103(DWG.J282)
 Pressure Reducing Device Angle Valve
 175 Lb. Rated Adjustable restriction of
 residual pressure up to 175 lb. Locking
 pin device restricts full opening of valve
 by untrained personnel, pin may be
 removed by firefighters to allow full
 opening of valve.
 FEMALE x MALE

Standard equipment:
 Female NPT inlet x male hose thread
 outlet forged brass valve Red hand wheel

Optional Finishes:
 PB-Polished Brass
 RC-Rough Chrome Plated
 PC-Polished Chrome Plated



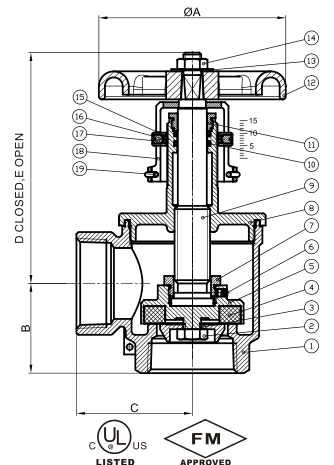
	A	B	C	D	E
1½"x1½"	100	48	58	123	145
2½"x2½"	127	67	77	165	206

NO	DESCRIPTION	MATERIALS	NO	DESCRIPTION	MATERIALS
1	BODY	ASTM B283 C37700	11	LOCK NUT	ASTM B283 C37700
2	NUT	ASTM B283 C37700	12	HANDLE WHEEL	ZL102
3	WASHER	304	13	WHEEL WASHER	304
4	SEAT SEAL	EPDM(A70)	14	WHEEL NUT	ASTM B283 C37700
5	HOLDER	ASTM B283 C37700	15	COLLAR	ASTM B283 C37700
6	SET SCREW	304	16	WASHER	PA6
7	LOCK NUT	ASTM B283 C37700	17	SET SCREW	304
8	BONNET	ASTM B283 C37700	18	SET NUMBERS	ASTM B283 C37700
9	STEM	ASTM B283 C37700	19	WIRE	304
10	ORING	EPDM(A70)			



HC-104(DWG.J282)
 Pressure Reducing Device Angle Valve 175 Lb.
 Rated Adjustable restriction of residual pressure
 up to 175 lb. Locking pin device restricts full
 opening of valve by untrained personnel, pin may
 be removed by firefighters to allow full opening
 of valve.
 DOUBLE FEMALE
 Standard equipment:
 Female NPT inlet and outlet forged brass valve
 Red hand wheel

Optional Finishes:
 PB-Polished Brass
 RC-Rough Chrome Plated
 PC-Polished Chrome Plated



	A	B	C	D	E
1½"x1½"	100	48	62	123	145
2½"x2½"	127	67	83	165	206

NO	DESCRIPTION	MATERIALS	NO	DESCRIPTION	MATERIALS
1	BODY	ASTM B283 C37700	11	LOCK NUT	ASTM B283 C37700
2	NUT	ASTM B283 C37700	12	HANDLE WHEEL	ZL102
3	WASHER	304	13	WHEEL WASHER	304
4	SEAT SEAL	EPDM(A70)	14	WHEEL NUT	ASTM B283 C37700
5	HOLDER	ASTM B283 C37700	15	COLLAR	ASTM B283 C37700
6	SET SCREW	304	16	WASHER	PA6
7	LOCK NUT	ASTM B283 C37700	17	SET SCREW	304
8	BONNET	ASTM B283 C37700	18	SET NUMBERS	ASTM B283 C37700
9	STEM	ASTM B283 C37700	19	WIRE	304
10	ORING	EPDM(A70)			

CERTIFICATE OF COMPLIANCE

Certificate Number 20151217-EX26977
Report Reference EX26977-20151215
Issue Date 2015-DECEMBER-17

Issued to: NINGBO HUACHENG VALVE CO LTD
CHENGGUAN NINGHAI, NINGBO,
ZHEJIANG 315600 CHINA

This is to certify that representative samples of PRESSURE-REDUCING AND -RESTRICTING DEVICES
See next page for Models

Have been investigated by UL in accordance with the Standard(s) indicated on this Certificate.

Standard(s) for Safety: UL 1468 - Standard for Direct Acting Pressure Reducing and Pressure Restricting Valves for Fire Protection Service
ULC/ORD C668-75 - Standard for Hose Valves for Fire Protection Service

Additional Information: See the UL Online Certifications Directory at www.ul.com/database for additional information

Only those products bearing the UL Certification Mark should be considered as being covered by UL's Certification and Follow-Up Service.

Look for the UL Certification Mark on the product.



Bruce Mahrenholz, Director North American Certification Program
UL LLC

Any information and documentation involving UL Mark services are provided on behalf of UL LLC (UL) or any authorized licensee of UL. For questions, please contact a local UL Customer Service Representative at <http://ul.com/aboutul/locations/>



CERTIFICATE OF COMPLIANCE

Certificate Number 20151217-EX26977
Report Reference EX26977-20151215
Issue Date 2015-DECEMBER-17

This is to certify that representative samples of the product as specified on this certificate were tested according to the current UL requirements.

Pressure Restricting Valves of the following models, types, sizes and rated pressures:

Listing	Model	End Configuration	Type	NPS	Rated Pressure, psig(kPa)
USL	J282-121	Female/Male Treaded	Angle (90°)	1.5	175
USL	J282-221	Female/Male Threaded	Angle (90°)	2.5	175



Bruce Mahrenholz, Director North American Certification Program
UL LLC

Any information and documentation involving UL Mark services are provided on behalf of UL LLC (UL) or any authorized licensee of UL. For questions, please contact a local UL Customer Service Representative at <http://ul.com/aboutul/locations/>





Certificate of Compliance

This certificate is issued for the following:

Pressure Restricting Angle Hose Valves

Model J282 in sizes 1-1/2 and 2-1/2 inch NPS

Prepared for:

Ningbo Huacheng Valve Co., Ltd.
Chengguan, Ninghai, Ningbo
Zhejiang 315600
China

Manufactured at:

Ningbo Huacheng Valve Co., Ltd.
Chengguan, Ninghai, Ningbo
Zhejiang 315600
China

FM Approvals Class: 1521/1522

Approval Identification: 3055898

Approval Granted: April 7, 2016

To verify the availability of the Approved product, please refer to www.approvalguide.com

Said Approval is subject to satisfactory field performance, continuing Surveillance Audits, and strict conformity to the constructions as shown in the Approval Guide, an online resource of FM Approvals.

A handwritten signature in dark ink that reads 'Cynthia E. Frank'.

Cynthia E. Frank
AVP, Manager of Building
Materials

FM Approvals
1151 Boston-Providence Turnpike
Norwood, MA 02062



Member of the FM Global Group