

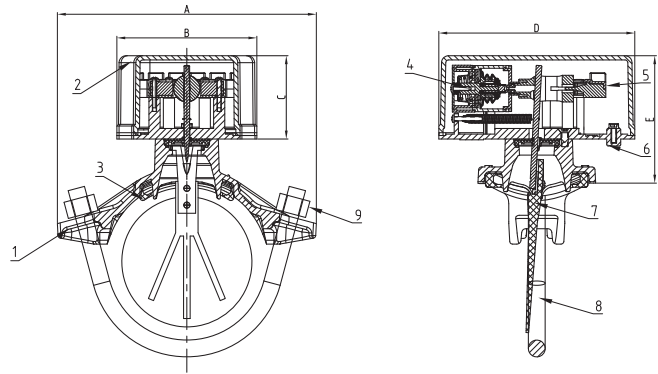
Water Flow Indicator with Retard (ZSJZYS)



ZSJZYS



- Connection Ends: AWWA C606
- Working Pressure: 363PSI and 300PSI
200PSI and 250PSI available upon request
- Temperature Range: 0°C - 68°C
- Coating: Fusion Bonded Epoxy Coating in accordance with ANSI/AWWA C550
- Electrical Ratings: 125/250VAC 5A 24/30VDC 3A
- Minimum Flow Rate For Alarm: 4-10 gpm

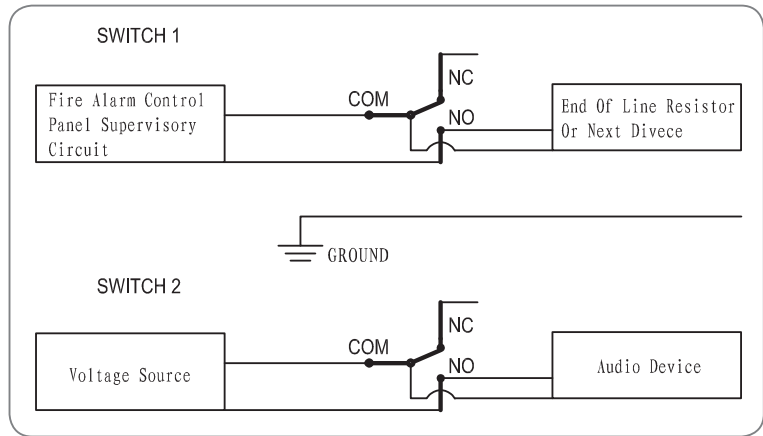


MATERIAL SPECIFICATION

Part No.	Part	Standard Specification	Options
1	Body	ASTM A536,65-45-12	
2	Cover	Aluminum Alloy	
3	Gasket	EPDM	NBR
4	Delay Device	Plastic	
5	Signal Connection	N/A	
6	Connection Plate	Aluminum Alloy	
7	Vane	Plastic	
8	U-Bolts	Carbon Steel Zinc Plated	AISI 304, AISI 316
9	Nuts	Carbon Steel Zinc Plated	AISI 304, AISI 316

Note: For special material request other than standard specification, please indicate clearly on the inquiry or order list.

WIRING DIAGRAM



DN		Dimensions(mm)						
Inch	mm	R	A	B	C	D	E	Hole Dia.
2"	50	60.3	116	100	59.5	140	79.5	29
2.5"	65	73	120	100	59.5	140	79.5	29
2.5"	65	76.1	120	100	59.5	140	79.5	29
3"	80	88.9	145	100	59.5	140	80.9	51
4"	100	114.3	185	100	59.5	140	98.5	51
5"	125	139.7	212	100	59.5	140	82.6	51
5"	125	141.3	212	100	59.5	140	82.6	51
6"	150	165.1	254	100	59.5	140	90.4	51
6"	150	168.3	254	100	59.5	140	90.4	51
8"	200	219.1	298	100	59.5	140	90.5	51

CERTIFICATE OF COMPLIANCE

Certificate Number 20180612-S35941
Report Reference S35941-20180606
Issue Date 2018-JUNE-12

Issued to: JINAN MEIDE CASTING CO LTD
Meide Science and Technology Park
Pingyin Industrial Park
JINAN
SHANDONG 250400 CHINA

This is to certify that representative samples of EXTINGUISHING SYSTEM ATTACHMENTS
Waterflow Indicators (paddle-type) model ZSJZYS
Supervisory switches, Models ZXHQ and MXHQ

Have been investigated by UL in accordance with the Standard(s) indicated on this Certificate.

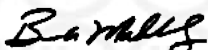
Standard(s) for Safety: UL 346 : Standard for Safety for Waterflow Indicators for Fire Protective Signaling Systems
CAN/ULC-S548 : DEVICES AND ACCESSORIES FOR WATER TYPE EXTINGUISHING SYSTEMS

Additional Information: See the UL Online Certifications Directory at www.ul.com/database for additional information

Only those products bearing the UL Certification Mark should be considered as being covered by UL's Certification and Follow-Up Service.

Look for the UL Certification Mark on the product.

This is to certify that representative samples of the product as specified on this certificate were tested according to the current UL requirements.



Bruce Mahrenholz, Director North American Certification Program

UL LLC

Any information and documentation involving UL Mark services are provided on behalf of UL LLC (UL) or any authorized licensee of UL. For questions, please contact a local UL Customer Service Representative at <http://ul.com/aboutul/locations/>

