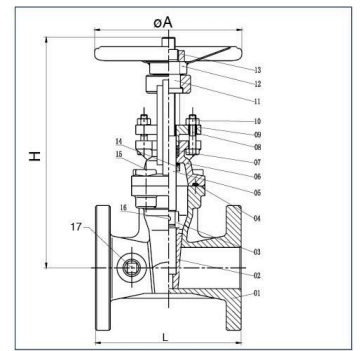


200PSI-OS&Y Type Flanged End Gate Valve Model No.:Z41



Technical Specifications:

- 1.Design Standard:AWWA C515
- 2.Nominal Pressure:200PSI
- 3.Flange Standard:ANSI B16.1 Class125 or according to the customer's requirements
- 4.Both inside and outside of the body need Epoxy Resin Coating



SIZE CHART

SIZE ITEM	2"	2-1/2"	3"	4"	5"	6"	8"	10"	12"
L	178	190	203	229	254	267	292	330	356
H	280	310	370	428	532	590	735	908	1150
øA	180	220	250	280	300	350	380	450	450

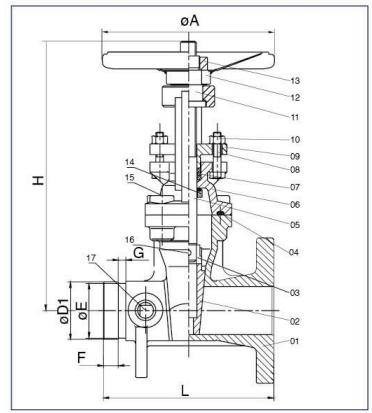
No.	Name	Qty.	Material	Remark
17	Plug	2	Cast Bronze	ASTM B62
16	Cylinder Pin	1	Steel	
15	Countersunk Head Bolt	4	Steel	
14	Flat Key	1	S.S.416	
13	Lock Nut	1	Steel	ANSI 1045
12	Handwheel	1	Steel	ANSI 1045
11	Rotating Nut	1	C95400	ASTM B148
10	Nut	2	Steel	
09	Platen	1	DI	ASTM A536 65-45-12
08	Bolt	2	Steel	
07	Sealing Kits	3	PTFE	ASTM D4745
06	Cap	1	DI	ASTM A536 65-45-12
05	Stem	1	S.S.304	ASTM A276
04	Sealing Pad	1	EPDM	ASTM D2000 EPDM
03	Connecting Part	1	C95400	ASTM B148
02	Disc	1	DI+EPDM	ASTM A536 65-45-12 + EPDM
01	Body	1	DI	ASTM A536 65-45-12

200PSI-OS&Y Type Flanged Grooved End Gate Valve Model No.:Z481



Technical Specifications:

- 1.Design Standard:AWWA C515
- 2.Nominal Pressure:200PSI
- 3.Flange Standard:ANSI B16.1 Class125 or according to the customer's requirements
- 4.Groove Standard:Metric or AWWA C606
- 5.Both inside and outside of the body need Epoxy Resin Coating



SIZE CHART

SIZE ITEM	2"	2-1/2"	3"	4"	5"	6"	8"	10"	12"
L	178	190	203	229	254	267	292	330	356
H	280	310	370	428	532	590	735	908	1150
øA	180	220	250	280	300	350	380	450	450
øD1	60.3	76.1	88.9	114.3	141.3	168.3	219.1	273	323.9
øE	57.2	72.3	84.9	110.1	137	163.9	214.4	268.3	318.3
F	15.9	15.9	15.9	15.9	15.9	15.9	19	19	19
G	7.9	7.9	7.9	9.5	9.5	9.5	11.1	12.7	12.7

NO.	Name	Qty.	Material	Remark
17	Plug	2	Cast Bronze	ASTM B62
16	Cylinder Pin	1	Steel	
15	Countersunk Head Bolt	4	Steel	
14	Flat Key	1	Steel	
13	Lock Nut	1	Steel	ANSI 1045
12	Handwheel	1	Steel	ANSI 1045
11	Rotating Nut	1	Cast Bronze	ASTM B62
10	Nut	2	Steel	ASTM A307 B
09	Platen	1	DI	ASTM A536 65-45-12
08	Bolt	2	Steel	
07	Sealing Kits	3	PTFE	ASTM D4745
06	Cap	1	DI	ASTM A536 65-45-12
05	Stem	1	S.S.304	ASTM A276
04	Sealing Pad	1	EPDM	ASTM D2000 EPDM
03	Connecting Part	1	C95400	ASTM B148
02	Disc	1	DI+EPDM	ASTM A536 65-45-12 + EPDM
01	Body	1	DI	ASTM A536 65-45-12