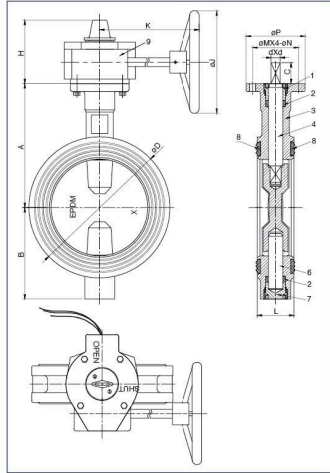


Wafer Type Butterfly Valve, UL, ULC Listed, FM Approved

Model No.:WD-371X



Working Pressure: 300PSI (21 Bars)
Working Temp: -20°C ~ 110°C (-4°F ~ 230°F)



SIZE CHART

ITEM SIZE	A	B	C	D	H	K	J	P	M	N	d	L
2-1/2"	125	95	32	112	111	218	152	90	70	9	10	44.2
3"	140	100	32	120	111	218	152	90	70	9	11	45.3
4"	160	100	32	165	111	218	152	90	70	9	14	52
5"	170	125	32	182	111	218	152	90	70	9	14	54.4
6"	190	140	32	216	111	218	200	90	70	9	16	55.8
8"	230	175	32	260	126	232	300	125	102	12	19	60.5
10"	260	200	45	320	126	232	300	125	102	12	22	66.5
12"	300	240	45	375	161	252	350	150	125	14	24	76.9

Carried Standard	
Design Standard	API609
Face to Face Standard	ASME B16.1
Top Standard	ISO 5211
Test Standard	API698

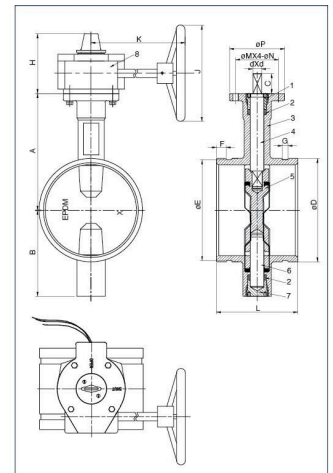
09	Signal Gearbox	DI
08	End Face Seal	EPDM
07	Lower Shaft Sealing Nut	WCB
06	Lower Shaft	SS416
05	Disc	DI+EPDM
04	Upper Shaft	SS416
03	Body	DI
02	Shaft Seal	EPDM
01	Upper Shaft Sealing Nut	WCB
NO.	Name	Material

Grooved Type Butterfly Valve, UL, ULC Listed, FM Approved

Model No.:GD-381X



Working Pressure: 300PSI (21 Bars)
Working Temp: -20°C ~ 110°C (-4°F ~ 230°F)



Carried Standard	
Design Standard	API609
Groove Standard	ASME B16.1
Top Standard	ISO5211
Test Standard	API698

SIZE CHART

ITEM SIZE	A	B	C	D	E	F	G	H	K	J	P	M	N	d	L
2-1/2"	125	95	32	76.1	72.1	15.9	7.9	111	218	152	90	70	9	10	96.4
3"	140	100	32	88.9	84.9	15.9	7.9	111	218	152	90	70	9	11	97
4"	160	100	32	114.3	110.1	15.9	9.5	111	218	152	90	70	9	14	115.1
5"	170	125	32	114.3	137	15.9	9.5	111	218	152	90	70	9	14	132.4
6"	190	140	32	168.3	164	15.9	9.5	111	218	200	90	70	9	16	132.4
8"	230	175	32	219.1	214.6	19	11.1	126	232	300	125	102	12	19	147.4
10"	260	200	45	273	268.3	19	12.7	126	232	300	125	102	12	22	159
12"	300	240	45	324	318.3	19	12.7	161	252	350	150	125	14	24	165

08	Signal Gearbox	DI
07	Lower Shaft Sealing Nut	WCB
06	Lower Shaft	SS416
05	Disc	DI+EPDM
04	Upper Shaft	SS416
03	Body	DI
02	Shaft Seal	EPDM
01	Upper Shaft Sealing Nut	WCB
NO.	Name	Material