

Fyreye Conventional Ultra-Violet Flame Detector (FEUV2000)



Description

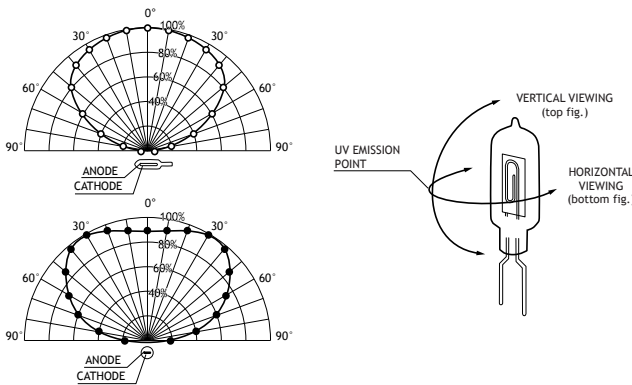
The Fyreye ultra-violet flame detector is particularly suited to applications where flames can be expected to develop initially rather than smoke. This is typically due to the nature of the materials being protected for instance camera film, computer, audio & video tapes or disks.

The detector is for indoor use only and should not be exposed to spurious sources of UV, such as sparks, uncovered halogen lights, lightening, etc. as these may trigger a false alarm.





Due to the operational nature of flame detectors it is generally recommended to fit just one detector per zone.



Detector Field of View



Features

-  Low profile shape
-  The detector is solar blind and incorporates an electronic filter to eliminate unwanted alarms from naturally occurring phenomena
-  Fast response time
-  High immunity to electrical noise & RF interference

Technical Specification

Model	FEUV2000
Part No.	80-045
Detector Class	Ultra Violet Flame Detector
Operating Voltage	12-28V DC
Quiescent Current	320µA
Alarm Current @ 24V DC	45-50mA
Operating Temperature	0°C to 45°C
Minimum Continuous Temperature	0°C
Maximum Humidity	95% RH non-condensing
Alarm Condition	10 seconds for 30mm flame @ 4 metres
Detection Angle	120°
UV Sensitivity	185-260nm
Size (with Base)	98 x 36mm (98 x 52mm)
Weight (with Base)	85g (143g)