

ANSI&BS&DIN STANDARD DOUBLE DOOR WAFER CHECK VALVE

Type: DH77XSR Doc No: DS-901-DH77XSR-01-E-X

1.0 PRODUCT OVERVIEW

The check valve is a one-way check valve. When the medium is flowing forward, the valve flap is opened under the pressure of the fluid; when the medium flows in the opposite direction, the valve flap is closed under the spring force and the reverse fluid pressure. Cut the channel to prevent backflow



Dimensions:

2"(DN50)-16"(DN400)

Design Standard:

API 594, JB/T 8937

Connection Standard:

ASME B16.42 CLASS 150, AS 2129 TABLE E, BS EN1092-2 PN10/16/25, JIS B221210K, BS10 TABLE D/E

Working Pressure:

300PSI, 250PSI, 200PSI

Application:

Double Door Wafer Check Valve operating temperature range is 0°C-80°C

Pipe Material:

Flange valves or flanged pipe fittings such as ductile iron, grey iron, and cast steel.

Surface Treatment:

Epoxy power painting (color numbers as RAL3000, RAL3001, RAL3016, etc)

Sign Off:

Owner: _____ Contractor: _____ Engineer: _____
Location: _____ Date: _____ Approved & Date: _____

- Painting (color numbers as RAL3000, RAL3001, etc)
- Others would be available upon clients detailed request

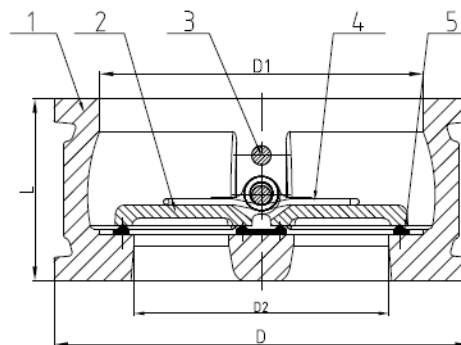
2.0 APPROVALS



NSF/ANSI 61 NSF/ANSI 372

3.0 SPECIFICATIONS

Product Sketch:



No.	Part	Material	Optional
1	Valve Body	ASTM A536 65-45-12	
2	Disc	AISI 316	AISI 304/C95400/ ASTM A536 65-45-12
3	Washer	PTFE	
4	Stem	AISI 420	AISI 304/ AISI 316/ AISI 416
5	Rubber Seat	EPDM	NBR

4.0 DIMENSIONS AND PERFORMANCE

Dimensions

DN		Dimensions			
inch	MM	L	D	D1	D2
2"	50	54	106	68	46
2 1/2"	65	60	127	78	60
3"	80	57	134	102	70
4"	100	67	162	117	84
5"	125	83	194	145	115
6"	150	95	218	170	134
8"	200	127	276.8	226	184

Sign Off:

Owner: _____

Contractor: _____

Engineer: _____

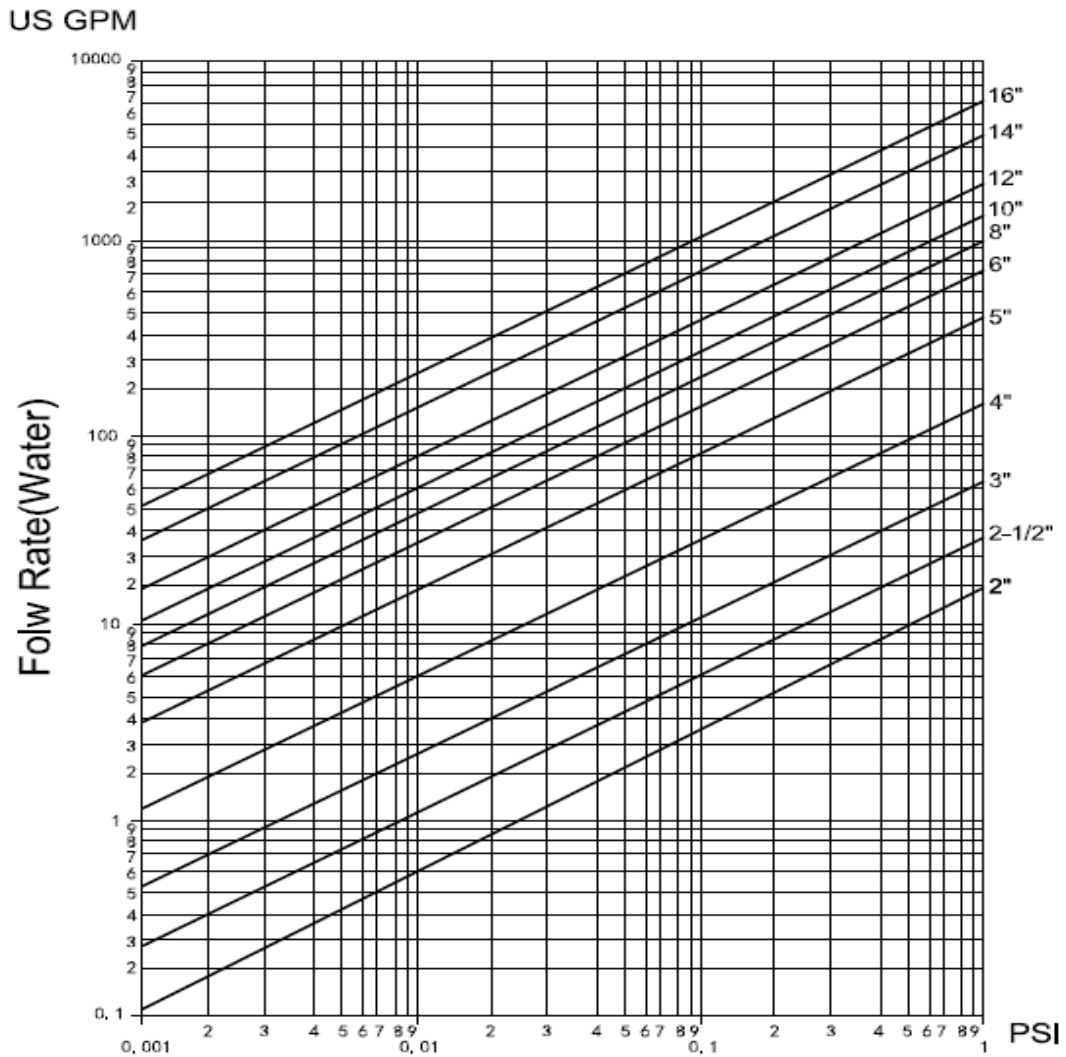
Location: _____

Date: _____

Approved & Date: _____

10"	250	140	335.5	265	220
12"	300	181	405.5	310	260
14"	350	184	447.4	360	302
16"	400	191	505	410	350

Flow rates



Strength

1. Nominal pressure 300PSI, Shell experiment (water) 450PSI, sealing experiment (water) 300PSI.
2. Working environment 1 Maximum working temperature 80 ° C, use medium water.

5.0 REFERENCE MATERIALS

Approved certification for Check Valve

Sign Off:

Owner: _____ Contractor: _____ Engineer: _____
 Location: _____ Date: _____ Approved & Date: _____