

SHILLA

SL-12DBS / SL-12BPS (Water Combination Nozzle)

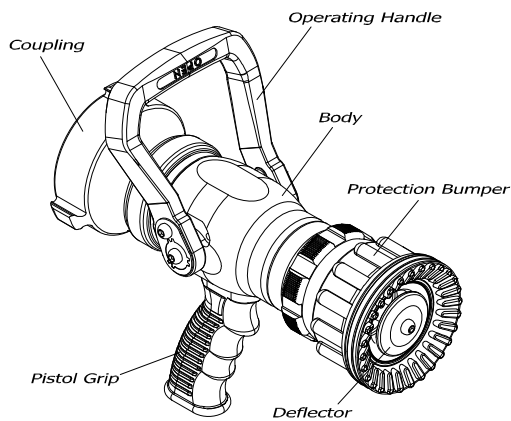
OPERATION AND MAINTENANCE MANUAL



WARNING

Read this manual before use. Operation of this nozzle without understanding the manual or receiving proper training can be dangerous and is a misuse of this equipment.

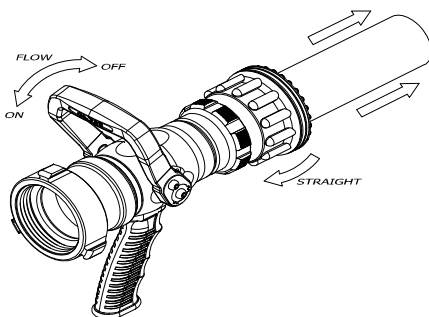
Selectable Gallonage Nozzle. Spinning Teeth.
Flushing without shut-off. Fog & Straight Stream
flow pattern. Easy and smooth open/close
Ball Valve.



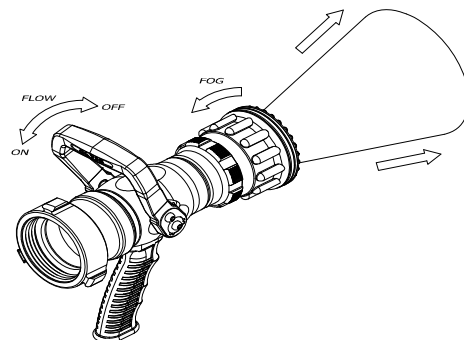
Model No.	SL-12DBS / SL-12BPS
Size	
Flow Rate	430~660LPM / 640~945LPM
Shooting Range	40 ~ 45m (at 7kg/cm ²)
Length	Approx. 245mm / 300mm
Weight	Approx. 2.3kg / 2.5kg
Material	Aluminum
Approval	KOFEIC Approved

1. OPERATION FLOW

- 1) Check all the rotating parts of the nozzle (Handle, Nut, Rubber Bumper) for smooth rotation and connect the nozzle to the fire hose.
- 2) Nozzle should be connected to the fire hose tightly by wrench until the rubber packing in the nut is pressed.
- 3) Hold the Pistol Grip of the nozzle with one hand. The handle should be on "Close" position.
- 4) Adjust flow rate and water pattern to required position and hold tight the nozzle and fire hose in the armpit.
- 5) Turn the nozzle to fire and pull the Handle to "Open" position.
- 6) During fire fighting operation, turn the Rubber Bumper to left or right for fog or straight & stream pattern according to fire condition.
- 7) After fire fighting operation, remove water with dry cloth and store dry and well ventilated place.



(STRAIGHT)



(FOG)

2. NOTIFICATION

These nozzles should be used only for fire fighting purpose. Other than fire fighting use may cause unexpected accident.



Do not dis-assemble, repair or modify the nozzle. Dis-assembling, repair or modification without instruction from our customer service may result in damage or injury to the property or operator.



Do not use as a hammer purpose to put away obstacles during fire fighting operation. Any damage on the nozzle by outer force may break-down the parts and cause serious injury to the operator.



Nozzle and fire hose should be connected by wrench until the rubber packing in the nut is pressed. Separation of the nozzle from the fire hose may cause injury to the operator.



Failure to restrain nozzle reaction can cause firefighter injury. The nozzle operator must always be positioned to restrain the nozzle reaction changes caused by change of flow rate, flow pattern or valve open/close.

3. MAINTENANCE

- 1) After Operation** : Remove water with dry cloth and keep dry and well ventilated place.
Check the damage of the thread on the connection parts or any other parts of the nozzle.
- 2) Periodic Check** : Rotation of the Nut should be regularly checked at least once a month.

4. TROUBLE SHOOTING

SYMPTOM	POSSIBLE CAUSE	REMEDY
Incomplete connection with Fire Hose	1) Damage on Thread	1) Repair the thread with Tap & Die Combination Set
Leakage on connection parts	1) Damage on Packing 2) Incomplete connection	1) Replace the Packing 2) Connect tightly with Wrench
Non-smooth rotation of the Rotating Parts	1) No use for a long period 2) Deformation by the impact	1) Rotate the parts several times 2) Replace the parts or Contact Customer Service



Shilla Fire Co., Ltd.
www.shillafire.com

(22B 8L Nam Dong Ind. Complex)
433-11, Non Hon-Dong, Nam Dong-GU,
Inchon City 405-848 Korea
TEL : +82-32-8178-119
FAX : +82-32-8175-119