



## Rapidrop Miniature Sprinkler Guard for 15mm (1/2") and 20mm (3/4") Sprinklers

### Product Description

Rapidrop Sprinkler Guard encases the sprinkler to protect it from physical damage. Guards are recommended for sprinklers installed in areas exposed to high level of mechanical activities, e.g warehouse racks. Wire clip type guard suitable for use with Rapidrop 15mm (1/2") and 20mm (3/4") sprinkler heads in either the upright or pendent position.

### Coating

Chrome Plate

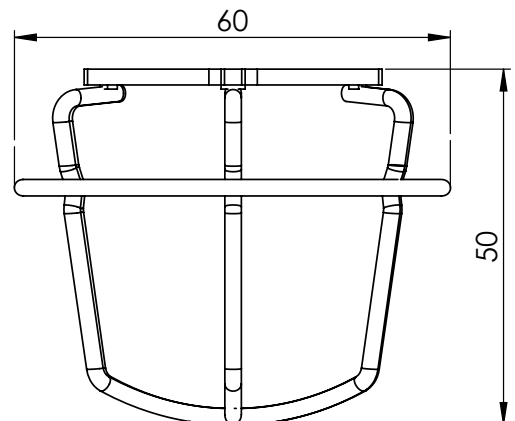
### Material Specification

Steel Wire 13 s.w.g. Chrome Plated

Weight 35g

### Installation Instructions

- Install the sprinkler, refer to appropriate installation instructions.
- Remove the Locking Ring from the Guard.
- Spread 2 halves of the guard apart and carefully slide the guard onto the sprinkler. Make sure the base plate of the guard slots into the groove below (pendant) or above (upright) sprinkler.
- Slide the Locking Ring onto the guard until it locks in position.



Product Ordering Code

RDSPRGUARDC